
Comfort-Aire®

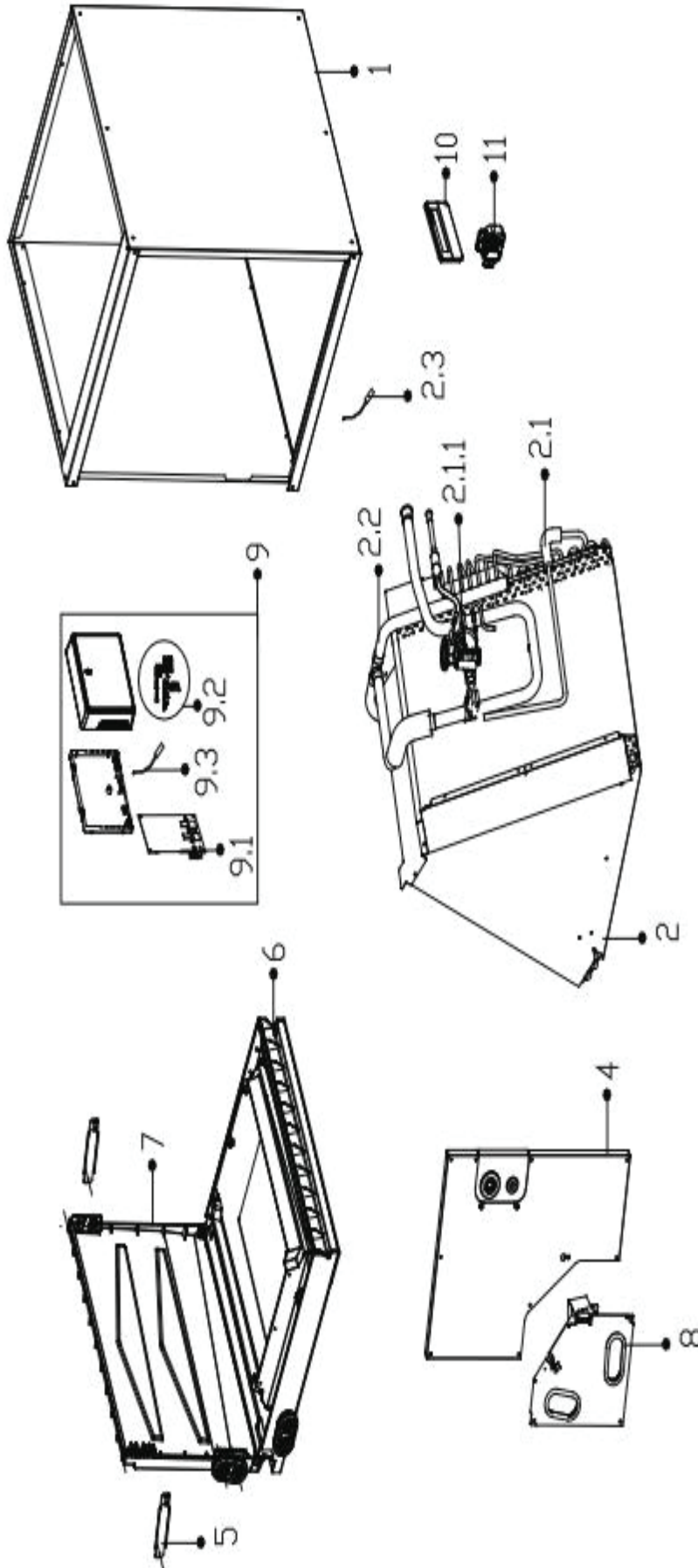
 **Century**®

REPLACEMENT PARTS LIST

Cased Coil

MXP18/24B1A

EXPLODED VIEW



REPLACEMENT PARTS

Location	Part Name	Quantity	Part No.
1	Chassis assembly	1.0	12223100002177
2	Evaporator assembly	1.0	15823100000804
2.1	Evaporator inlet pipe subassembly	1.0	15123100000703
2.1.1	Thermostatic expansion valve	1.0	15500213002850
2.2	Evaporator outlet pipe subassembly	1.0	15223100000122
2.3	Pipe Temperature Sensor	1.0	11201007003464
4	Upside board subassembly	1.0	12223100002176
5	Fixing board of water collector	2.0	12223100001471
6	Main water collector assembly	1.0	12123100000025
6.1	Seal plug	2.0	12123000002240
7	Water collector subassembly	1.0	12123100000026
7.1	Seal plug	2.0	12123000002240
8	Clamp for Cover Plate assembly	1.0	12223100002192
9	Duct electronic control box subassembly	1.0	17223000012582
9.1	Data transfer module control board printed board subassembly	1.0	17122000067548
9.2	Installation kit subassembly	1.0	12023100000001
9.3	Room Temperature Sensor	1.0	11201007003448
10	Wired controller	1.0	17317100011597
11	Gas sensor	1.0	11201003000344

Due to ongoing product improvements, specifications and dimensions are subject to change and correction without notice or incurring obligations. Determining the application and suitability for use of any product is the responsibility of the installer. Additionally, the installer is responsible for verifying dimensional data on the actual product prior to beginning any installation preparations.

Incentive and rebate programs have precise requirements as to product performance and certification. All products meet applicable regulations in effect on date of manufacture; however, certifications are not necessarily granted for the life of a product. Therefore, it is the responsibility of the applicant to determine whether a specific model qualifies for these incentive/rebate programs.



1900 Wellworth Avenue • Jackson, MI 49203 • 517-787-2100